

Talis Classic
Single lever basin mixer 80 with pop-up waste set
 Surfaces: **Chrome** Article Number: **14111000**



Description

product features

- consists of: single lever basin mixer, waste set
- ComfortZone 80
- projection 103 mm
- normal spray
- flow rate at 3 bar: 5 l/min
- ceramic cartridge
- temperature limitation adjustable
- suitable for continuous flow water heaters
- pop-up waste set G 1¼
- material waste set: metal
- connection dimension: DN15
- P-IX 18845/IA
- ETA VA 1.42/18016
- WRAS 1502008
- KCW-2018-0161_WTM
- Kiwa K6161_Mechanical Mixers EN817
- SINTEF 1834

Technology



Design awards



reddot design award

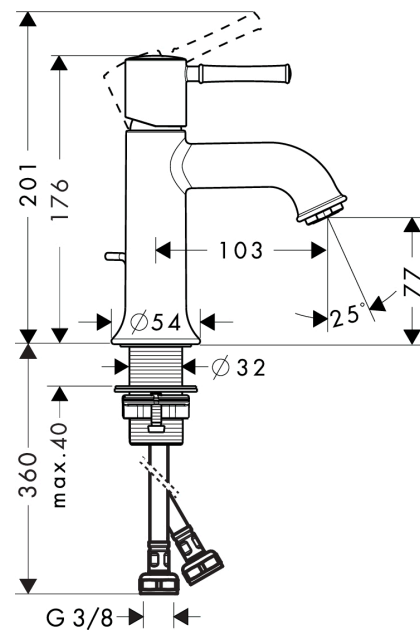


DESIGNPREIS
2009
NOMINIERT

Product image



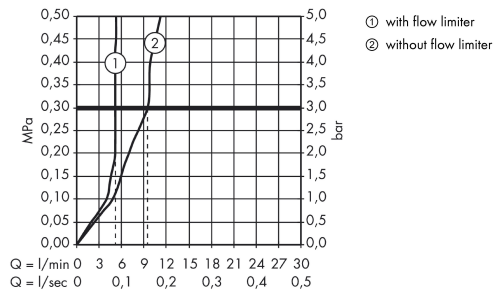
Scale drawing



Talis Classic
Single lever basin mixer 80 with pop-up waste set
 Surfaces: **Chrome** Article Number: **14111000**



Flowchart

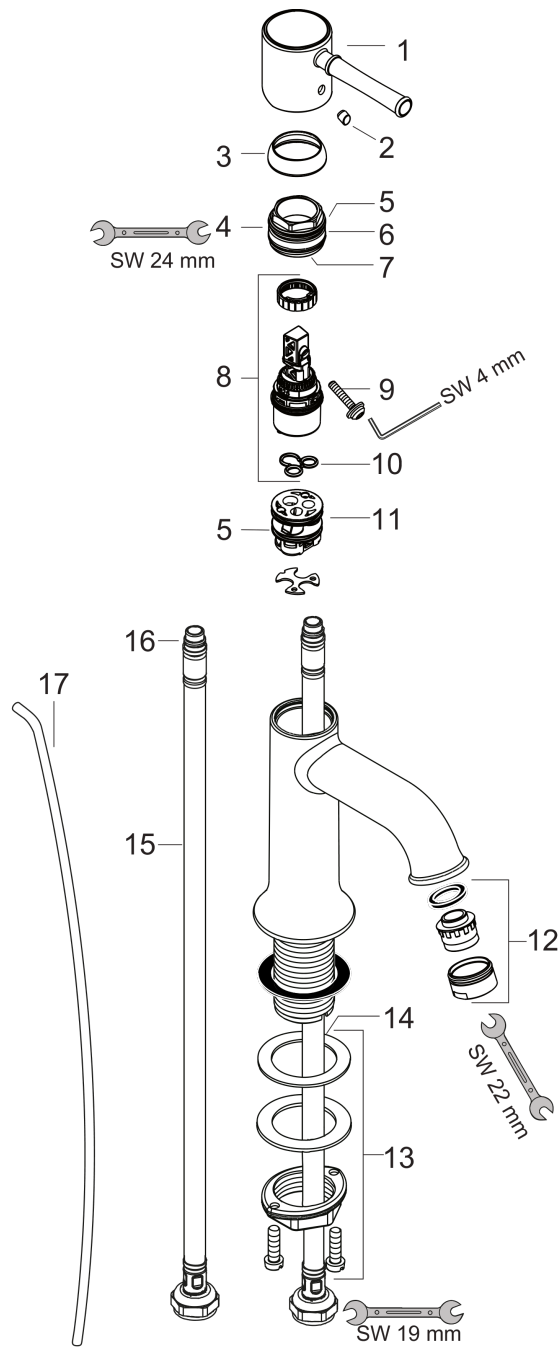


Talis Classic
Single lever basin mixer 80 with pop-up waste set
 Surfaces: **Chrome** Article Number: **14111000**



Exploded Drawing

Year of production: >04/17



Talis Classic
Single lever basin mixer 80 with pop-up waste set
 Surfaces: **Chrome** Article Number: **14111000**



Spare part list

Year of production: >04/17

Pos.	Description	Article Number	PC	PU
1	handle	14191000	11	1
2	screw cover	96338000	1	1
3	flange	98863000	10	1
4	nut	98864000	9	1
5	O-ring 23x2	98398000	1	1
6	O-ring 27x1,5	92527000	1	1
7	O-ring 25x1,5	98146000	1	1
8	cartridge, assy	97685000	11	1
9	locking screw for handle	95140000	2	1
10	seal	98865000	8	1
11	adapter for cartridge	98866000	8	1
12	aerator M24x1 (5 l/min)	13185000	98	1
13	fixing set (Ø 32)	13961000	7	1
14	lever collar	97548000	1	1
15	connection hose 450 mm M8x0,75 G3/8	97206000	8	1
16	O-ring 6,6x1,6	93019000	1	1
17	pull rod	96657000	4	1
a	pop up waste	94139000	98	1
b	fixation extension 35 mm	13898000	12	1
c	aerator M24x1 (3,5 l/min)	92508000	9	1
d	aerator M24x1 (4,5 l/min)	92877000	6	1
e	aerator swivelling M24x1 (5 l/min)	95928000	8	1